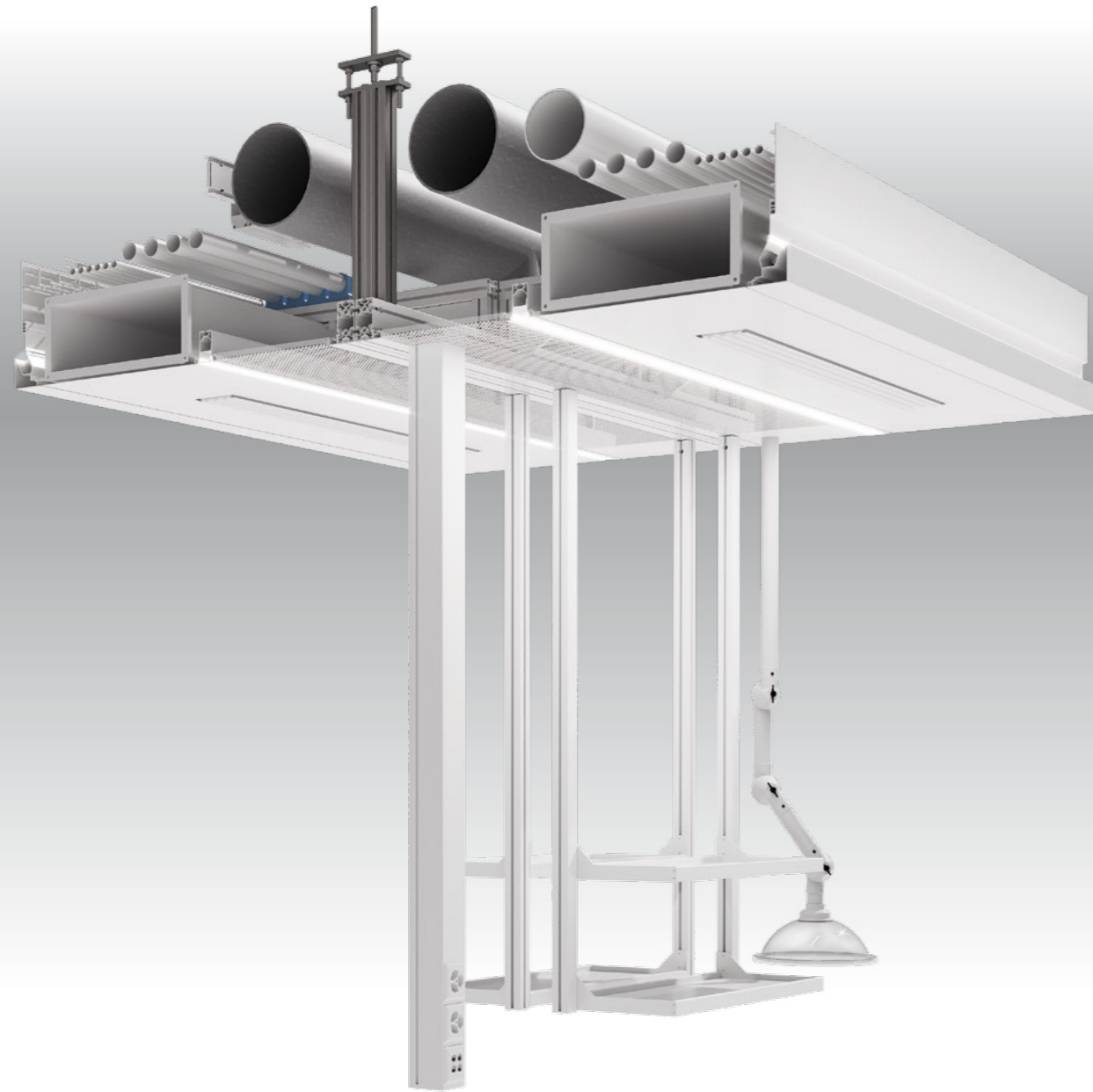




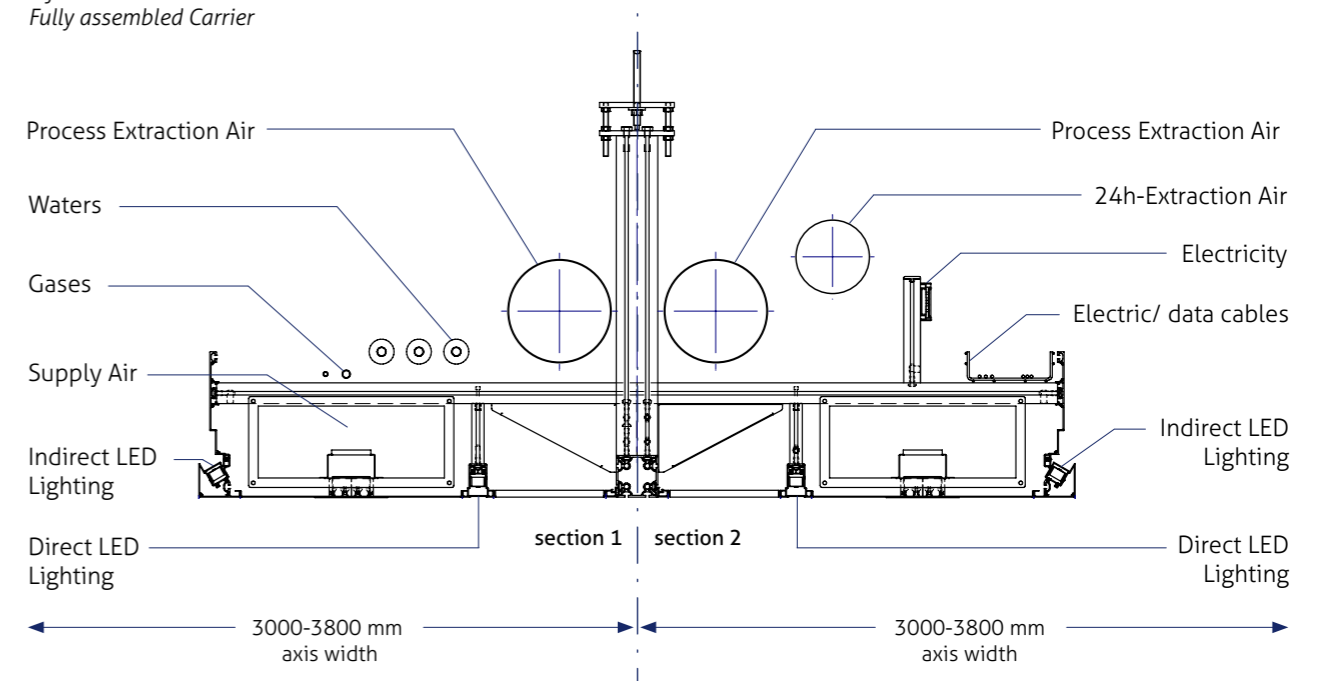
# Infrastructure Carrier Unit ICU



# Infrastructure Carrier Unit ICU



Infrastructure Carrier Unit ICU  
Fully assembled Carrier



## SYSTEM

The Infrastructure Carrier Unit ICU is a modular designed utilities provider incorporating all services required for technical room outfitting. In particular it bears: ventilation and controlling components, electricity and bus bar installations, sanitary installations, lighting and media carrier supports (horizontal and vertical designs). The module is delivered prefabricated and is installed ready for operation (turnkey).

Due to its design the Infrastructure Carrier Unit is versatile in various room concepts. It enables a very flexible layout of functional spaces and working environments.

## Dimensions

- Element width: max. 2100 mm/ optional half part section: max. 1100 mm
- Element length: 2100 mm/ dividable according to room dimensions
- Standard height above bottom edge: 2800 - 3000 mm
- Required space under ceiling: > 650 mm

## Surface

white RAL 9016, special colours available (NCS/ RAL)  
bracket core unit: natural anodised E6-EV1 aluminium

## Components

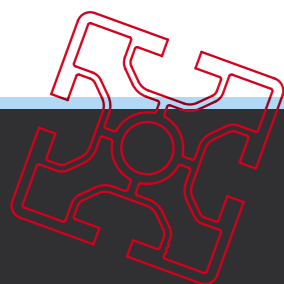
### Individual configuration level, modularly expandable

- Supply Air
- Process Extraction Air
- 24h-Extraction Air
- Room Extraction Air
- Direct LED Lighting/ 6000K, dimmable
- Indirect LED Lighting (optional) / 6000K, dimmable
- Electric utilities (cabels, lines)
- Waters
- Gases

**All subsections can be equipped by customer or ordered preinstalled**

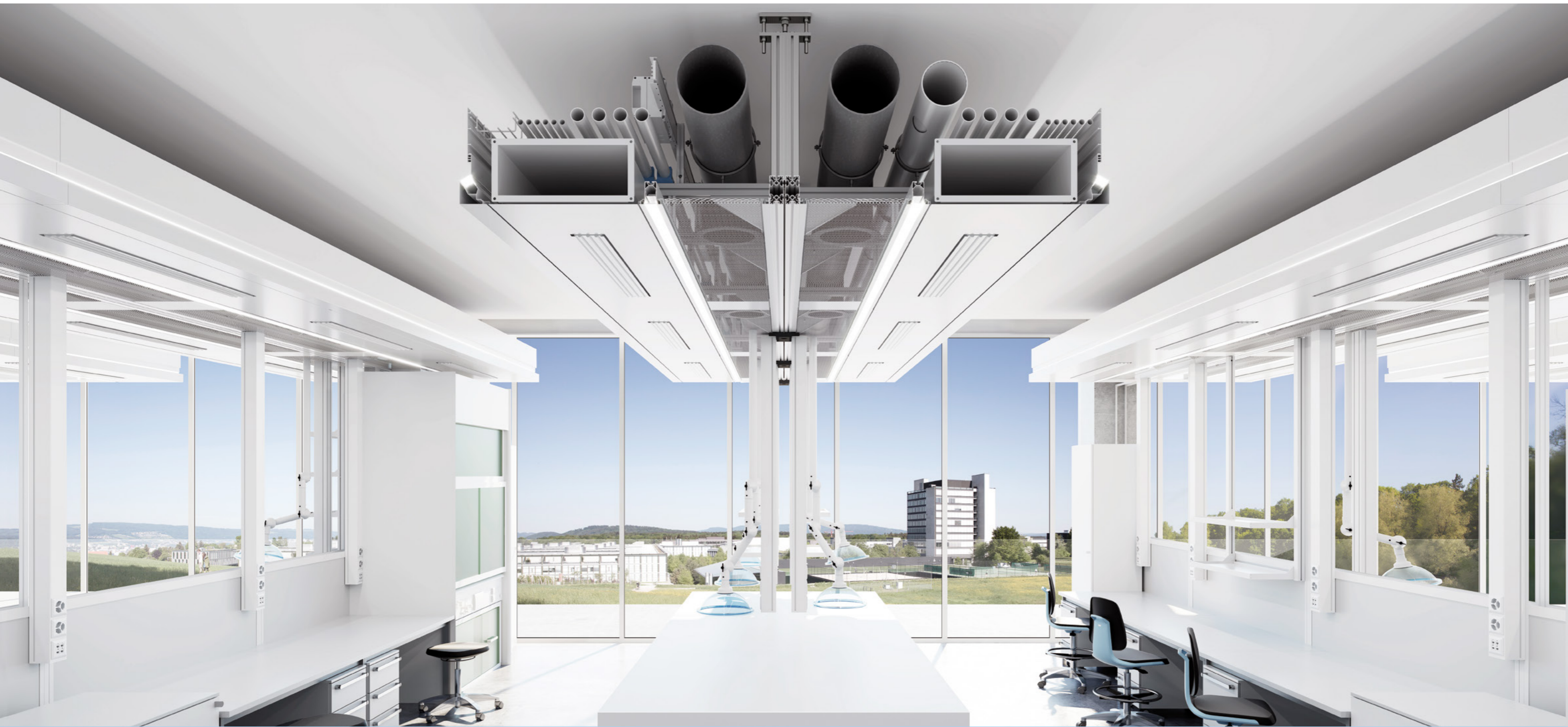
## Strength values

- Brace 2000 N/m vertical
- Installation components 750 N/m





# Infrastructure Carrier Unit ICU: The ideal provider for add-on components



## DESIGN

The Infrastructure Carrier Unit ICU is designed with building axes in mind, as an independent ceiling mounted support construction covering a partial ceiling surface. Base element is an expandable brace construction, which is level adjusted and fitted on the ceiling. It provides rooms with utility installations such as supply and extraction air, lighting, electrical and media installations.

Its second purpose is the attachment of typical wall- and ceiling-mounted elements and add-on components like media carriers, shelves, hanging cupboards, spot extractors, monitor mounts, tripod mounts etc.

Moreover is the attachment of partition walls and divider panels prepared. A suspended closed ceiling can be installed separately from the ICU on buildings ceiling.

## Room Solutions

- Housings
- Cubicals
- Partitions walls
- Curtain systems/ Laser protection

## Media carrier

- Media carrier vertical
- Media carrier horizontal
- Media carrier foldable
- Media bridges
- Freestanding, movable

## Workplace

- Shelving systems
- Splash guards
- Monitor mounts
- Keyboard mounts
- Tripod brackets
- Towel holder

## Workflow

- Experimental buildups
- Special housings